



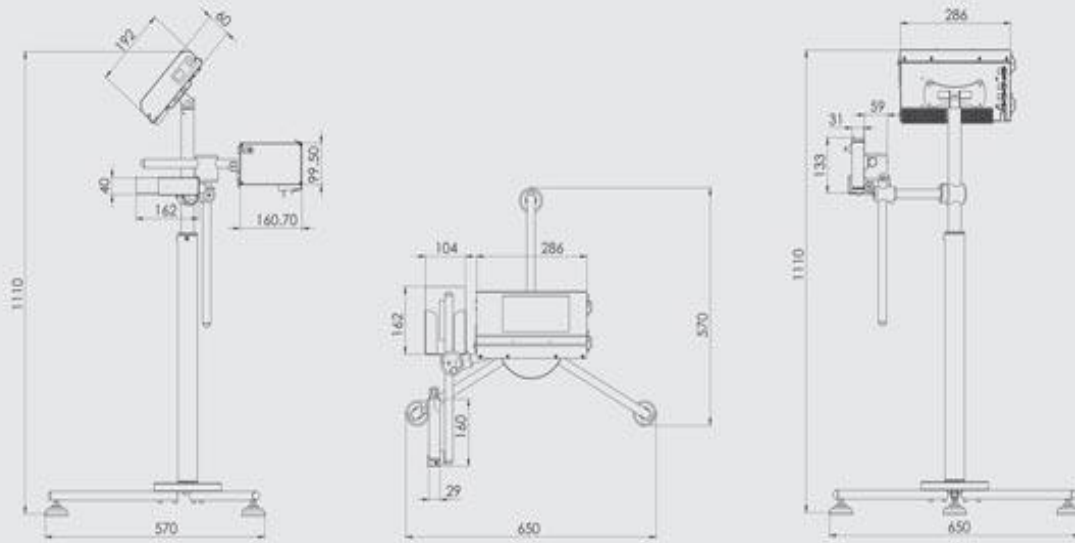
Industrial Ink Jet Printer

ProDigit 26/53

Intelligent Secondary Packaging Coder



www.maplejet.com



Controller

Display Screen	8.4" Color TFT LCD with Industrial Touchscreen
Printing Channels	2 Channels with Separate Messages
Print Module Connection	Expandable up to 6 heads
Connectivity	To Computer, PLC, Weighing Device, Barcode Reader
Connection Ports	USB, RS232
External Database Print Capacity	More than 1 Million Records
Menu Language	All Languages available on request
Message Saving Capacity	Up to 899 Messages
Password Protection	Yes
Input Voltage	90-240 VAC
Power	60 W
System Diagnostic	Yes
Ink Consumption Indicator	Yes
Environmental Conditions	0-50 °C - Humidity 0-80% RH
Standard	CE, CSA & UL

Printing Features

Resolution	360 DPI - (Print Height = 26 mm)
Max Print Speed	60MMn
Height Range of Printable Characters	1-53 mm
Printable Languages	All available on request
Number of Fonts	Six pre loaded fonts (user defined)
Logo Printing Option	Yes
Message Component Combination	Text + Date + Time + Logo + Counter + Shift + Barcode + External Data + Basic Shapes
Auto Update	Production & Expiry Date, Time, Shift, External Data
Barcode	All major Barcode symbologies supported (1D & 2D)
Counter	Various Counter Options (Ascending, Descending, External Data, Counter, Time)
Print Module Angle Adjustment	0-180 °
Ink Consumption Control System	Yes (Ink reduction of up to 75%)
Traversing Systems Option	Yes

Complementary Systems

Connectivity With Third Party Software	Yes
Low Level Ink Warning System	Yes
Ink Supply System	Standard Cartridge Based Ink System
Ink Types	Solvent, Oil Based and UV Curable Ink Options
Ink Colour Options	Black, White, Red, Blue, Yellow, UV Readable
Support Options	Stainless Steel Stand, Aluminum Stand, Elevator, T Bracket, Moving Arm
Conveyor	Various sizes and designs available on request

Options

Ink Supply System	Hybrid Ink System (auto priming) plus heater and agitation system
Software	FlexiCode Message Design Software
	Remote Manager Data Management Software
	Vanguard Closed Loop Production Software
Encoder	Yes
1 to 3 Output Extender System	Enables connectivity of up to six print modules
Print Verification Hardware	Scalable based on requirements
Optional Connectivity	Ethernet, RS485