

9410 | SIMPLY EFFICIENT

PRINT MORE. EFFICIENCY BUILT IN ■ ■ ■

Relax for 5 years⁽¹⁾ with our **LONGEVITY** service pack

SMART DESIGN. TCO INCLUDED

Up to 20% reduction in consumable use and energy consumption**. Optimized waste related expenses.



99.9% AVAILABILITY

Secure the initial performance of your equipment for 36, 48, or 60 months via the customized service packs.

EASY AND MISTAKE PROOF OPERATION

Clean and secure, our innovative cartridge system requires no set-up and eliminates consumable management errors.

HYGIENIC DESIGN. EFFICIENT WASHDOWN (IP55)

Clean it with water and industrial detergent and make sure your hygiene standards are met.

INCREASE YOUR PRINTING CAPABILITIES ■ ■ ■

Promote your brand while achieving your traceability and sustainability goals

PROMOTE YOUR BRAND

Print a QR code to promote your brand and generate website traffic.



LARGE CHOICE OF CODES AND LANGUAGES

Text, logos and 2D barcodes, etc. available in 35 languages.

INKS THAT HELP ACHIEVE YOUR TRACEABILITY AND SUSTAINABILITY GOALS

Ink references with a high level of adhesion, contrast and color where needed as well as anti-counterfeiting solutions and environmentally-friendly inks.



PREVENT PRODUCT RECALLS AND WASTE ■ ■ ■

Enhanced user experience will ensure your product is coded right and scrap is kept to a minimum

ENHANCED AND PROVEN USER EXPERIENCE

The experience starts with the tip of your finger directly on the color touch screen.

CONFIGURE THE JOB AND LOCK IT

Your local language online guiding system will lead you through the steps to ensure your code is exactly what you want it to be.

TRACK YOUR RUNNING COSTS

Easy access to maintenance and production history.

MASTER YOUR DATA INPUT

Operator access and password management can be configured to your needs offering more control.



CENTRALLY MANAGE CODES

Create images and network printers with optional CoLOS® software.

*Warranty on parts only. See conditions defined by your local Markem-imaje subsidiary. **Compared to other brands in the same category

PRINT FEATURES

- ▶ Mono-jet printhead
- ▶ G head (printing resolution: 71 dpi)
- ▶ Up to 5 lines of print
- ▶ Print speed: up to 4.6 m/s
- ▶ Font height from 5 to 32 dots for multiline messages
- ▶ Character height: from 1,5 to 11 mm
- ▶ Wide choice of 1D and 2D barcodes (EAN8/EAN13/UPCA/UPCE barcodes, code 39, interleaved 2 of 5, Datamatrix and QR code)
- ▶ Wide choice of characters (Latin, Arabic, Japanese, Cyrillic, Hebrew, Chinese, Korean, etc.)

OPERATIONS

- ▶ Message library (up to 100 messages)
- ▶ International operator/machine interface with a wide choice of languages
- ▶ WYSIWYG 7-inch wide touch screen: realtime display of remaining print capacity expressed in hours and number of messages; integrated assistance and alert system; simplified message printing and management; creation of user profiles
- ▶ USB and SD ports
- ▶ Jet Speed Control guarantees marking quality
- ▶ Automatic selection of fonts, depending on print speed and printhead/object distance
- ▶ Broad range of inks: multi-use, high performance; ketone-free and MEK-free inks
- ▶ Sealed 0.8-liter cartridges with foolproofing system
- ▶ Quick connect/disconnect of accessories (photocell, alarm and encoder)
- ▶ Ethernet connectivity
- ▶ Specific date management (rounding date function)

OTHER CHARACTERISTICS

- ▶ Weight: 25 kg
- ▶ Table-top or vertical mounting
- ▶ Ultra-flexible 3-meter umbilical cable
- ▶ Full stainless steel cabinet and printhead case
- ▶ Dust/humidity protection rating: IP55 not requiring plant air
- ▶ Operating temperature range: 0 to 40°C depending on ink used
- ▶ Humidity: 10 to 90% non-condensing
- ▶ Electrical power supply: 100-120 V or 200-240 V with automatic switching; frequency 50/60 Hz; power 60 VA

OPTIONS

- ▶ Printhead pressurization kit
- ▶ RS-232/422 connectivity, parallel interface, many I/O possibilities to enable remote operation
- ▶ Ultra-flexible 6-meter umbilical cable

ACCESSORIES

- ▶ Printer supports: stands (stainless steel or aluminum), table or wall mounting bracket
- ▶ Printhead stand (stainless steel)
- ▶ Different printhead brackets
- ▶ Photocells
- ▶ Encoders
- ▶ Alarm beacons (24 V)

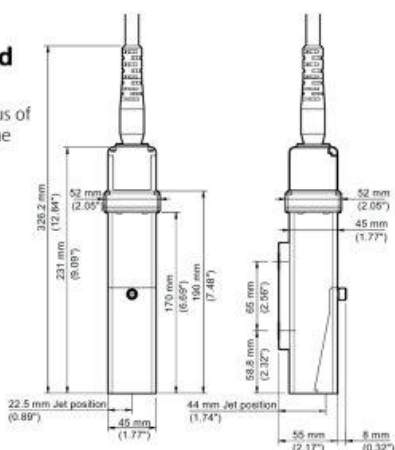
SOFTWARE

- ▶ Compatible with CoLOS Create Professional and CoLOS Enterprise
- ▶ Logo creation with CoLOS Graphics

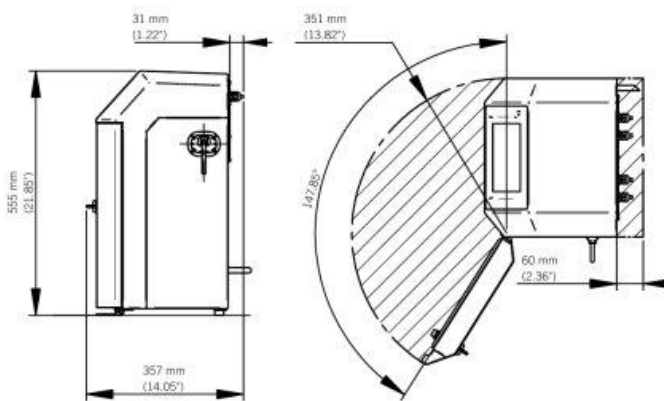
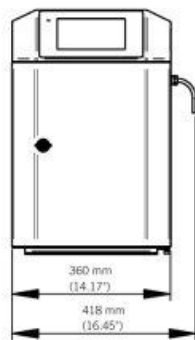
Printhead

Minimum radius of curvature of the umbilical:

- Static: 100 (3.93")
- Dynamic: 150 (5.90")



Cabinet



We reserve the right to amend the design and/or specifications of our products without notice.

Markem-Imaje
Global Sales & Marketing Division
9, rue Gaspard Monge
B.P. 110
26501 Bourg-lès-Valence Cedex - France
Tel: +33 (0) 4 75 75 55 00
Fax: +33 (0) 4 75 82 98 10



To learn more, visit www.markem-imaje.com

